



# CM2.16 11.8KW/16HP

ISO 8665/3046

**Assets:**

- Seawater resistant cast exhaust bend, providing a long and efficient service life
- Supplied with oil suction pump
- Based on a Mitsubishi industrial engine, proven world-wide and with an equally world-wide support

**ALSO AVAILABLE AS KEELCOOL**

**Cupronickel heat exchanger and exhaust bend - no zinc anode required**

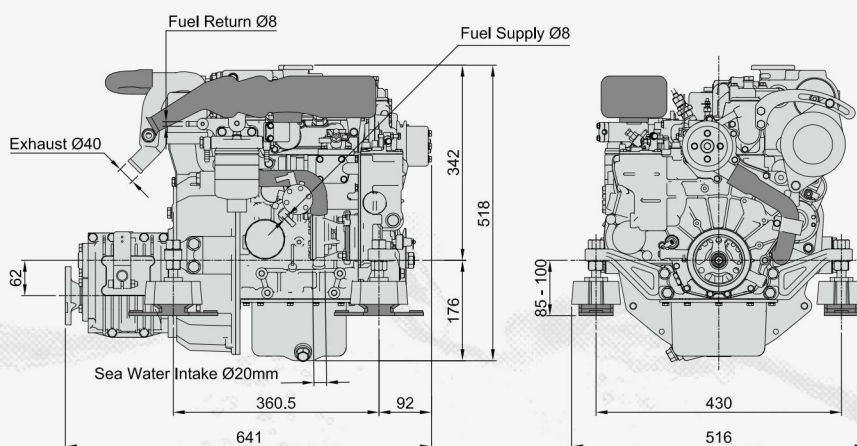
This Copper-Nickel alloy has a better heat dissipation than steel or aluminium ensuring a better heat regulation for the engine. The heat exchanger also functions as an expansion tank for the cooling liquid of the engine. On top of that the material is highly resistant to corrosion in sea water, making the use of an anode unnecessary.



**Waterproof cable connectors**

The engine cable loom is equipped with waterproof (IP67) cable connectors to ensure that no moisture or dust can penetrate to the cable terminals.

**Fitted with a 70A Bosch alternator**



**Four flexible engine mountings**

See **page 27** for the complete range of flexible engine mountings.



**CALORIFIER KIT CM2.16 & CM3.27**

**AA.020.20000**

**Optional remote oil filter**

Changing the oil filter can become difficult once the engine is fully installed in your boat. In order to accommodate an easier and faster oil filter replacement a Craftsman Marine remote oil filter kit was developed. The oil filter can be placed wherever you like. Standard hose length 1m.

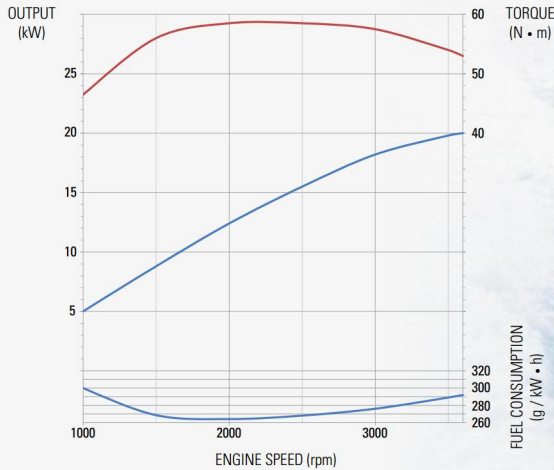


**AA.030.20000**

For detailed specifications, drawings, manuals, certificates and warranty go to [www.craftsmanmarine.com](http://www.craftsmanmarine.com)

## Diesel engines

Our Mitsubishi based three cylinder engine is built around a robust and reliable industrial engine. It has been converted into a smart marine diesel engine in accordance with the latest know how and technology. Craftsman Marine has selected these base engines on three principles: power, reliability and fuel efficiency. The CM3.27 engine is a well-balanced engine with vibration-free running and measures up to the latest European Recreational Craft Directive (RCD). It will also meet the upcoming new legislation that will be enforced from January 2016 (2013/53/EU).

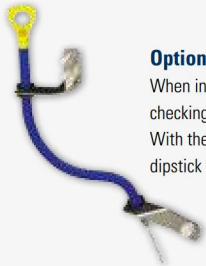


### Cupronickel heat exchanger and exhaust bend - no zinc anode required

This Copper-Nickel alloy has a better heat dissipation than steel or aluminium ensuring a better heat regulation for the engine. The heat exchanger also functions as an expansion tank for the cooling liquid of the engine. On top of that the material is highly resistant to corrosion in sea water, making the use of an anode unnecessary.

Exhaust temperature alarm

10A circuit breaker



### Optional extended dipstick

When installing the engine in a small space, checking the oil level of your engine can be a pain. With the optional Craftsman Marine extended dipstick this becomes a thing of the past.

AA.300.90125

### General specifications

<b>Basic engine:</b>	Mitsubishi
<b>Output at flywheel:</b>	20kW/27.2HP (ISO 8665/3046)
<b>Maximum torque:</b>	58,5 Nm
<b>Number of cylinders:</b>	3
<b>Capacity:</b>	952 cm <sup>3</sup>
<b>Aspiration:</b>	natural
<b>Alternator:</b>	70 A / 12V Bosch
<b>Sensors:</b>	see page 23
<b>Max. installation angle:</b>	15° (backwards)*
<b>Maximum revolutions:</b>	3600 rpm
<b>Cooling system:</b>	indirect, with heat exchanger
<b>Flexible engine mountings:</b>	CM type 3 (front) & CM type 4 (back)*
<b>Calorifier connection:</b>	optional
<b>Exhaust diameter:</b>	ø40 mm
<b>Electronic protection:</b>	10A circuit breaker
<b>Stop solenoid:</b>	Energised to stop
<b>Weight:</b>	113 kg

### Optional:



See page 46 for the complete range of engine panels.

ALFA 20E

AB.020.20000

Waterproof connectors (IP67)

For detailed specifications, drawings, manuals, certificates and warranty go to [www.craftsmanmarine.com](http://www.craftsmanmarine.com)

\* 4 Flexible engine mounts CM type 9 are required for installation angles above 8°. Optional for extra comfort.